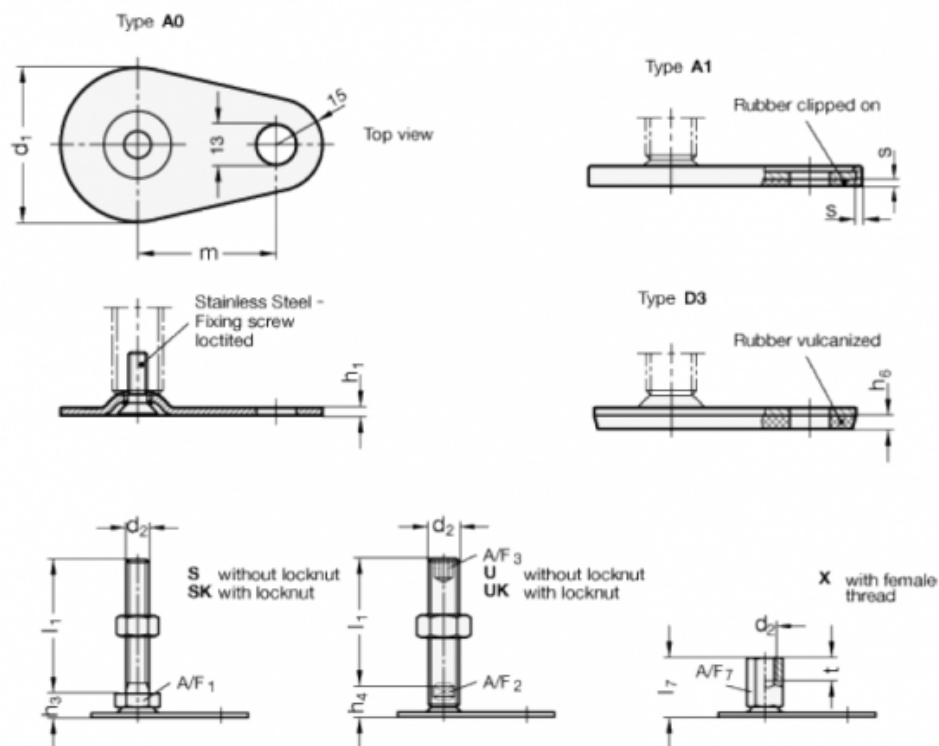


Data Sheet



Article number: 204250M1028A0X
 Description: E+G levelling foot
 GN 42-50-M10-28-A0-X
 Note: X With female thread, External hexagon

Measures



A/F7 = 14	t = 10
d1 = 50	
d2 = M10	
h1 = 2.5	
h6 =	
l7 = 28	
m = 45	
s =	